



Heat Detector

Salwico SWM-1KL 140

Part no. 37174

System: All Salwico Fire Alarm Systems

Description

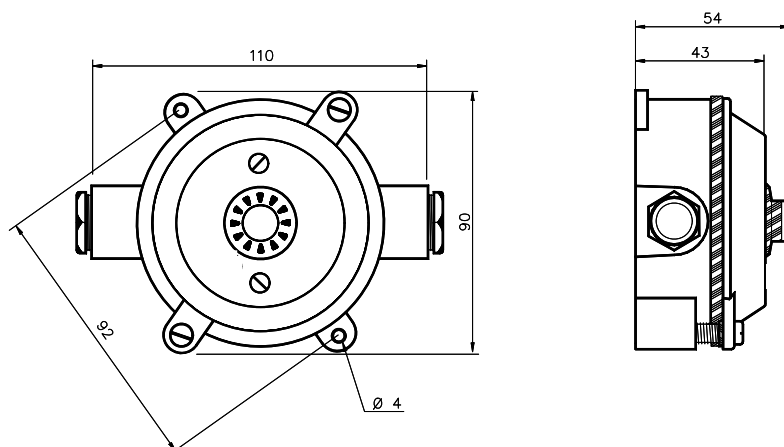
The SWM-1KL 140 is a fixed temperature heat detector, designed for use in damp spaces. It contains a bimetallic thermostat, which closes its contacts at alarm temperature.

The detector is also available in versions with lower alarm temperature (57, 80 and 100°C) and in an intrinsically safe version, SWM-1KL/IS, see separate datasheets.

Data

Nominal voltage	24 VDC
Working voltage	17 - 31 VDC
Working current	0.005 mA
Alarm current	Max 100 mA at 24 VDC without end of line resistor
Alarm resistance	470Ω
Function	Closing
Alarm temp.	140°C
Temperature range	-10°C to +110°C
Cable glands	6 - 11 mm
Material	Aluminium
Ingress protection	IP65
Colour	Off-white
Weight	250 g

Dimensions (mm)



Connection

