



Gas detection system **Salwico GDS I-1A**

Part no. SAL-GDS I-1A

Description

Salwico GDS (I-1A) is a four channel gas detection control system. The Salwico GDS (I-1A) is designed for small stationary gas detection installations for the monitoring of explosive and/or toxic gases.

The central is delivered complete with:

- 1 x Control panel, Internal
- 1 x Isolated serial interface RS485 (NMEA 0183, MODBUS RTU)
- 5 x Relay outputs (one for fault and one for gas A1, 3pcs programmable relays)
- 4 x 4-20mA inputs for connection of gas detectors
- 1 x 2,5A Power supply, 100-240VAC

The cabinet is designed for wall mounting and is delivered with one multi flange.

Flange entry cable diameters:

2 x 8-17

9 x 7-14

20x 4-10

Salwico GDS (I-1A) is SOLAS compliant and certified by all major classification societies for marine applications.

For more information, please refer to the datasheets of the system modules and the Salwico GDS manuals.

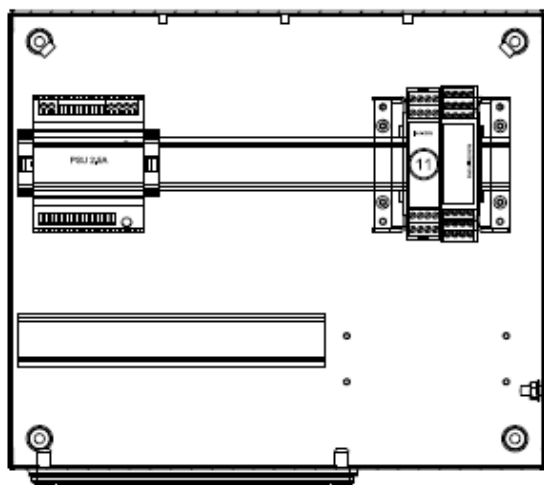
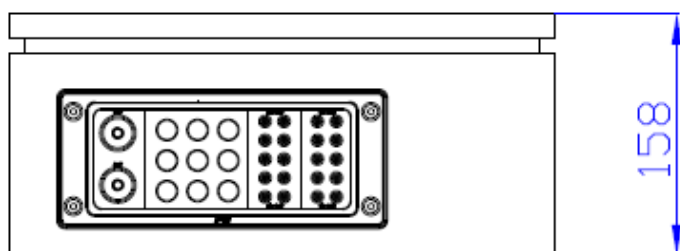
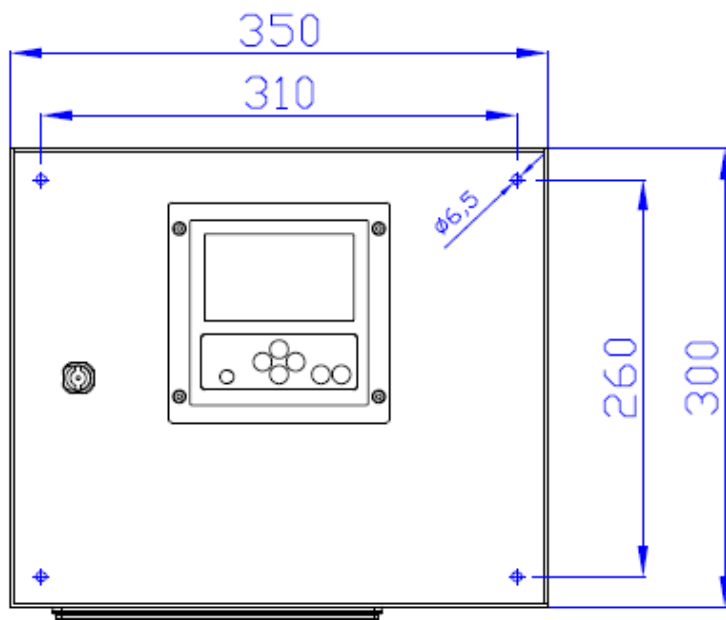
Data

Nominal voltage	100-240VAC
Power consumption	~25W in normal condition
Ingress Protection	IP32
Cable terminals	2.5mm ² , 1.5 mm ² for terminal 1-5 on Buscon M gas
Cable specification	2 or 3 core wire screened (min. 0.75mm ²)
Measurement ranges	% LEL, ppm, ppb, VOL %
Temperature range	-5°C to +55°C
Material, cabinet	Steel
Colour, cabinet	RAL7035
Weight	~11 kg

Wall mounted cabinet dimensions (mm)

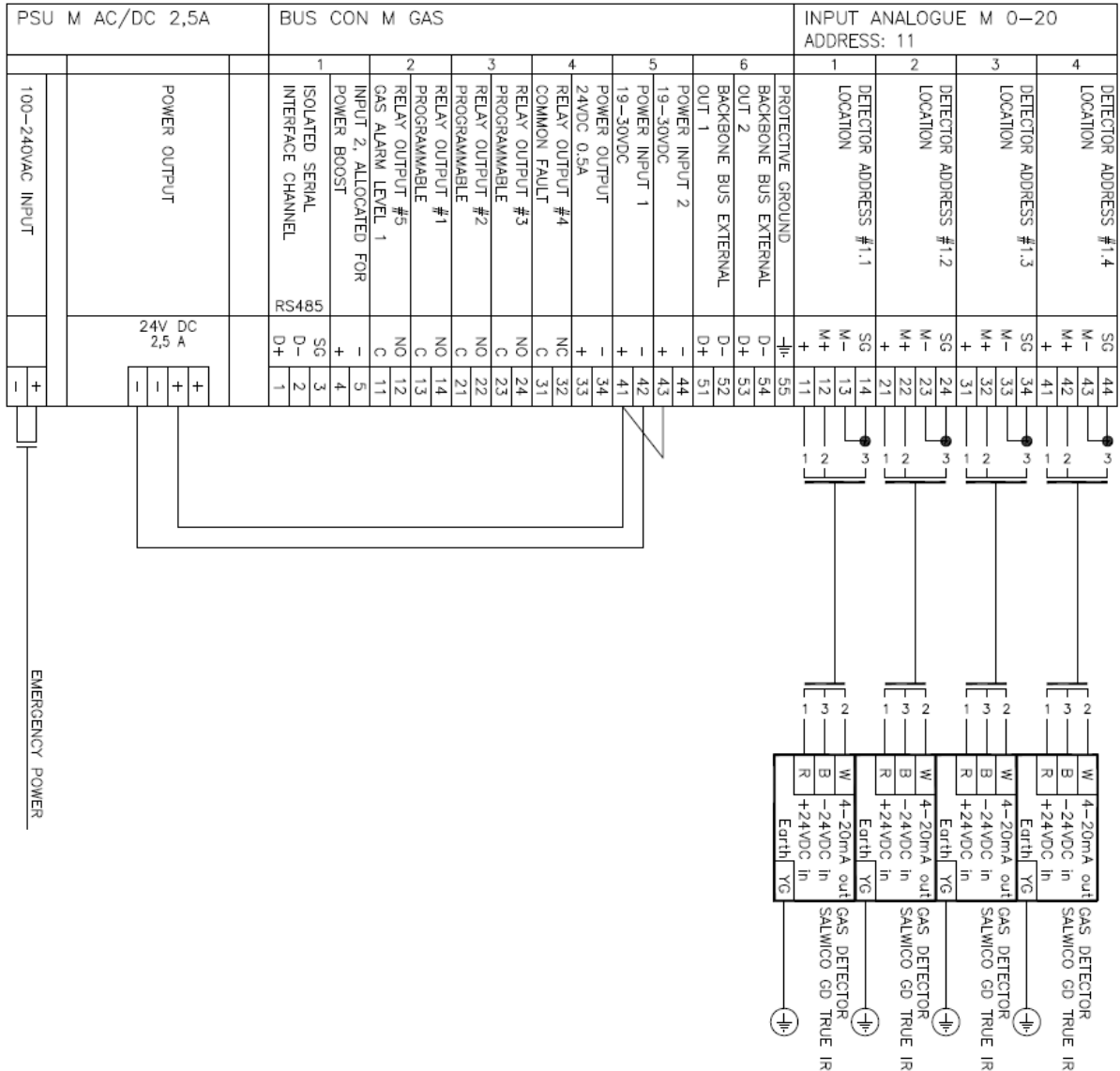
Description
300x350x158 Cabinet for wall mounting

Partno.
5103011-00A



Power Connection:

Description	Partno.	Quantity	Address
PSU M AC/DC 2,5A	5100091-01A	1pc	N/A
BusCon M Gas	5103002-00A	1pc	N/A
Analogue M 4-20	5103003-00A	1pc	11



Connections to external control/repeater panel(s), part number 5103001-00A

BUS CON M GAS			
1	ISOLATED SERIAL INTERFACE CHANNEL	RS485 D+	SG 1
2	POWER BOOST	SG 2	D- 2
3	INPUT 2, ALLOCATED FOR	SG 3	D- 3
4	GAS ALARM LEVEL 1	C 11	C 11
5	RELAY OUTPUT #5	NO 12	NO 12
6	PROGRAMMABLE	C 13	C 13
7	RELAY OUTPUT #1	NO 14	NO 14
8	PROGRAMMABLE	C 21	C 21
9	RELAY OUTPUT #2	NO 22	NO 22
10	PROGRAMMABLE	C 23	C 23
11	RELAY OUTPUT #3	NO 24	NO 24
12	COMMON FAULT	NC 32	NC 32
13	RELAY OUTPUT #4	C 31	C 31
14	POWER OUTPUT	+ 33	+ 33
15	19-30VDC	+ 41	+ 41
16	POWER INPUT 1	- 42	- 42
17	19-30VDC	+ 43	+ 43
18	POWER INPUT 2	- 44	- 44
19	OUT 1	D+ 51	D+ 51
20	OUT 2	D- 52	D- 52
21	BACKBONE BUS EXTERNAL	D+ 53	D+ 53
22	PROTECTIVE GROUND	D- 54	D- 54
23	BACKBONE BUS EXTERNAL	D+ 55	D+ 55

EXTERNAL CONTROL/REPEATER M GAS			
ADDRESS: 2			
1	POWER INPUT/OUTPUT	P8x 12	P8x 12
2	BACKBONE BUS EXTERNAL	D+ 14	D+ 14
3	RS485/PB485	D- 15	D- 15
4	BACKBONE BUS EXTERNAL	D+ 25	D+ 25
5	RS485/PB485	D- 26	D- 26
6	POWER INPUT/OUTPUT	P8x 43	P8x 43
7	BACKBONE BUS EXTERNAL	D+ 44	D+ 44
8	RS485/PB485	D- 45	D- 45
9	POWER INPUT/OUTPUT	P8x 46	P8x 46
10	PROGRAMMABLE	+ 63	+ 63
11	PROGRAMMABLE	+ 64	+ 64
12	ISOLATED SERIAL INTERFACE CHANNEL	D+ 67	D+ 67
13	ISOLATED SERIAL INTERFACE CHANNEL	D- 68	D- 68
14	ISOLATED SERIAL INTERFACE CHANNEL	SG 69	SG 69

TO NEXT CONTROL/REPEATER PANEL

